



ETI, d.o.o., Obrezija 5, SI-1411 Izlake
www.etigroup.eu/products-services

MP-485
004804056

Module
termination-polarisation



Purpose

The MP-485 module is used for termination, polarisation and signal amplification of the signal line of the RS-485 network.

Functioning

Termination is the termination of the signal line (UTP cable) with suitable resistances in order to maintain a uniform wave resistance of the entire line, which significantly improves the quality of the transmitted data and eliminates errors arising on the signal line.

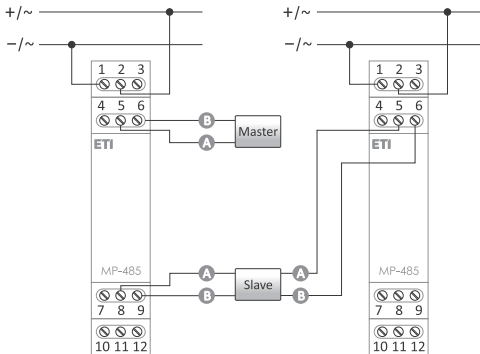
Line polarisation is performed when at least one of the slave devices in the RS-485 network does not have a signal GND point. Polarisation is carried out only for the master device.

Signal amplification is realised by active feeding of the line with low voltage through one of the modules.

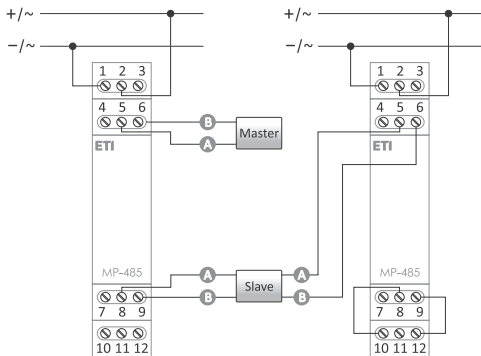
Mounting

1. Disconnect power supply.
2. Fix the module on a rail in the distribution box.
3. Connect to the signal network ends of the RS-485 port according to the termination or polarity diagram.

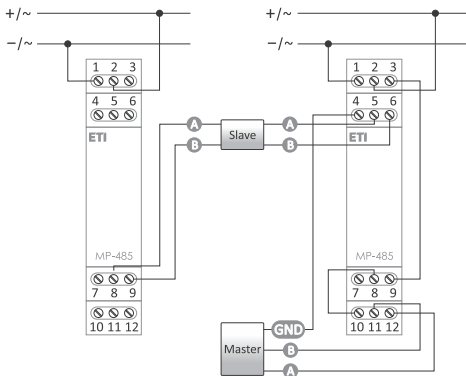
Wiring diagram



Network termination system



Network polarization system with termination



Network polarization system (with termination)
for Slave-type devices without GND

Technical data

power supply	15÷30 V DC
system current	<10 mA
terminal	2.5 mm ² screw terminals
tightening torque	0.4 Nm
working temperature	-25÷50°C
dimensions	1 module (18 mm)
mounting	for TH-35 rail
ingress protection	IP20

Warranty

ETI products are covered by a 24-month warranty from the date of purchase. The warranty is only valid with proof of purchase. Contact your dealer or contact us directly.

CE declaration

ETI declares that the device is in conformity with the essential requirements of The Low Voltage Directive (LVD) 2014/35/EU and the Electromagnetic Compatibility (EMC) Directive 2014/30/UE.

The CE Declaration of Conformity, along with the references to the standards in relation to which conformity is declared, can be found: www.etipolam.com.pl on the product subpage.

ETI